



17" Multi-format LCD Monitor

DT-E17L4G

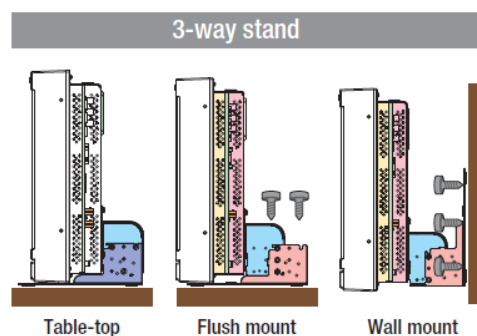
21" Multi-format LCD Monitor

DT-E21L4



HIGHLIGHTS

- **HD-SDI and HDMI compatible**
Compatible with both HD-SDI and HDMI signals for HD video contents monitoring
- **Full HD Resolution**
1980 x 1080 pixel Full HD resolution panel
- **Composite Video In/Out, Component Video In, Analog RGB Video In, HDMI In, HD/SD-SDI In/Out**
- **Mercury-free LED Backlight**
- **IMD (In Monitor Display) function based on TSL's UMD protocol ver. 4.0**
- **10bit Color Processing**
- **16ch Audio Level Indicator for Embedded Audio**
- **Other features**
 - 16.7 million display colors
 - 600:1 (DT-E17L4G) and 1,000:1 (DT-E21L4) contrast ratio
 - Area/Center / Aspect marker
 - LTC & VITC time code support
 - IMD (TSL protocols Ver. 4.0) support
 - Built-In Speakers
 - 3-Way stand for versatile installation

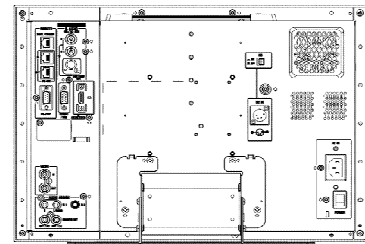
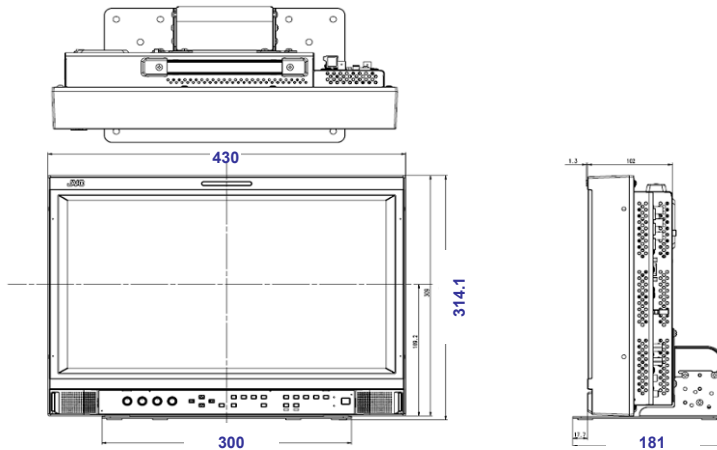


New Product News

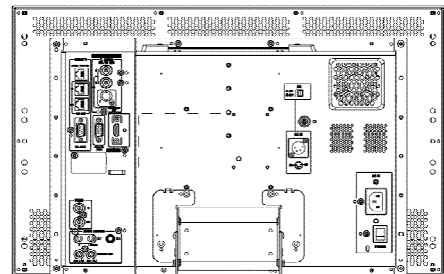
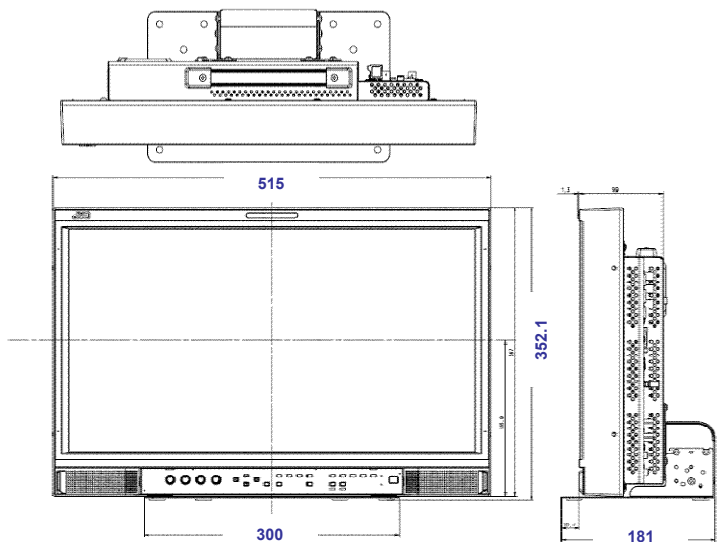
DT-E series

General Specifications		DT-E17L4G		DT-E21L4	
Display Device	Display Type	17" LCD Display		21.5" LCD Display	
	Aspect Ratio	16:9		16:9	
	Pixel number	1920 (H) x 1080(V)		1920 (H) x 1080(V)	
	Panel surface	Gloss		Non-Glare	
	Viewing Angle	H:160deg V:140deg		H:170deg V:160deg	
	Contrast Ratio	600:1		1,000:1	
	Display color	16.7M colors		16.7M colors	
	Backlight	LED		LED	
Dimension	VESA standard	100mm x 100mm (M4 x4)		100mm x 100mm (M4 x4)	
	Width	430mm (17")		515mm (20 3/8")	
	Height	314.1mm (12 3/8")	309mm (12 1/4") without stand	352.1mm (13 7/8")	347mm (13 3/4") without stand
Weight	Depth	181mm (7 1/4")	102mm (4") without stand	181mm (7 1/4")	99.8mm (4") without stand
	Weight	7.1kg (15.6lbs)	5.6kg (12.3lbs) without stand	7.7kg (16.9lbs)	6.2kg (13.6lbs) without stand
Power	AC	120V (0.5A)		120V (0.6A)	
	DC	12~17V (3.A)		12~17V (3.7A)	
External In / Out	Video IN/OUT	Composite Video IN: BNC x 1 Composite Video OUT: BNC x1 Loop through		Composite Video IN: BNC x 1 Composite Video OUT: BNC x1 Loop through	
	Component Analog RGB In	Mini D-Sub 15 pin x 1		Mini D-Sub 15 pin x 1	
	HDMI In	HDMI Connector x 1		HDMI Connector x 1	
	HD/SD-SDI	IN: BNC x2 OUT: BNC x1 (Switched / reclocked out)		IN: BNC x2 OUT: BNC x1 (Switched / reclocked out)	
	Audio	IN: RCA x 2 (L/R) 3.5mm Stereo mini jack x 1 OUT: RCA x 2 (L/R) Monitor Out		IN: RCA x 2 (L/R) 3.5mm Stereo mini jack x 1 OUT: RCA x 2 (L/R) Monitor Out	
	Remote	MAKE/TRIGGER: RJ-45(8-pin) x 1 RS-485 IN : RJ-45 (8-Pin) x 1 RS-485 OUT: RJ-45 (8-Pin) x 1 RS-232C: D-sub (9-pin) x 1		MAKE/TRIGGER: RJ-45(8-pin) x 1 RS-485 IN : RJ-45 (8-Pin) x 1 RS-485 OUT: RJ-45 (8-Pin) x 1 RS-232C: D-sub (9-pin) x 1	
Audio	Speaker Output Power	1W x 2		1W x 2	

DT-E17L4G



DT-E21L4



E. and O.E. Design and specifications subject to change without notice